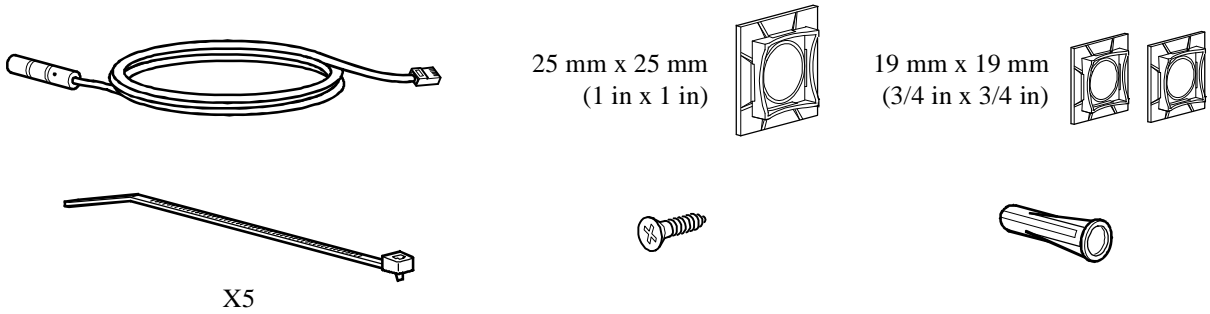


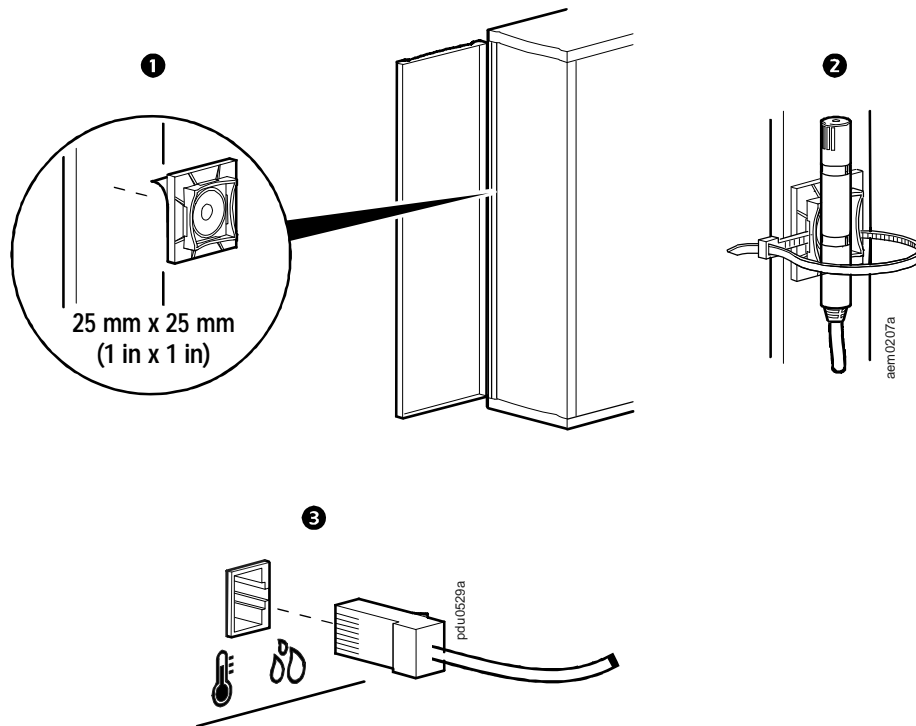


# Temperature/Humidity Sensor (H621N) for a Rack Power Distribution Unit—Installation Instructions

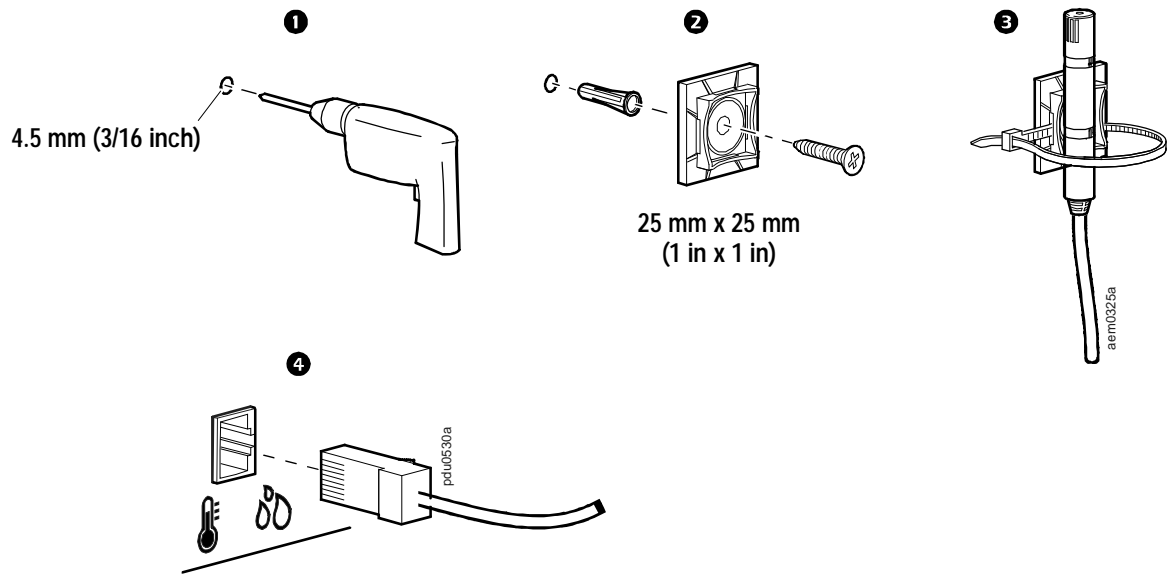
## Inventory



## Vertical rail



## Wall



**Information in this document is subject to change without notice.**  
© 2010 Dell Inc. All rights reserved.

Reproduction of these materials in any manner whatsoever without the written permission of Dell Inc. is strictly forbidden.

Trademarks used in this text: *Dell*, and the *DELL* logo are trademarks of Dell Inc.

Other trademarks and trade names may be used in this document to refer to either the entities claiming the marks and names or their products. Dell Inc. disclaims any proprietary interest in trademarks and trade names other than its own.

Model H621N